

The contents in this drawing might be changed without any notice.  
Please understand it beforehand.

5	Mark of polarity	The red heat shrinkage tube on + pole
4	Lead Wire	Silicone(White)
3	End Cap	Silicone resin (Clear)
2	LED	Toyoda gousei Corporation
1	Clear soft case	Clear Soft PMMA
Number	Parts name	Note

The guide of product number

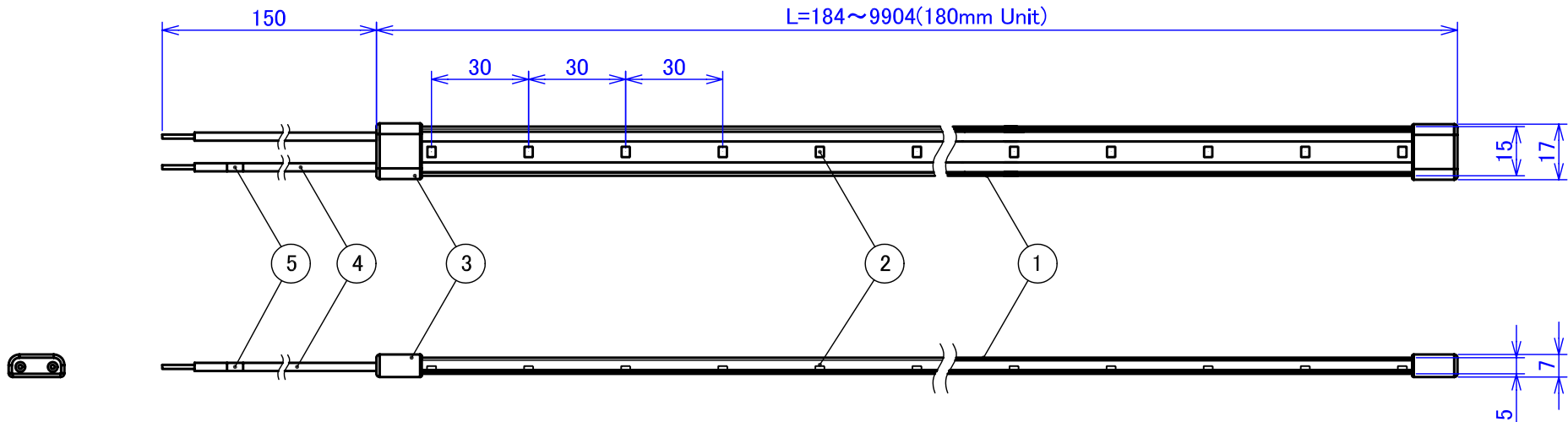
TL10 - 091 A E - 01

Color  
E:3400K  
C:8000K

Material/Demensions				Quantity	Treatment / Processing	
Remarks				Product Drawing		Model 10mm pitch type
Scale 1:2 (A4)				Design Takaki 22.07.'11	Drawing Takaki 22.07.'11	Drawing Check Nishimura 29.07.'11
				Approval Nishimura 29.07.'11	Product Name LED TAPE LIGHT	Product Number TL10-091AE-01(example)

ATEX Co.Ltd.

Third-angle projection method (Unit : mm)



The contents in this drawing might be changed without any notice.  
Please understand it beforehand.

5	Mark of polarity	The red heat shrinkage tube on + pole
4	Lead Wire	Silicone(White)
3	End Cap	Silicone resin (Clear)
2	LED	Toyoda gousei Corporation
1	Clear soft case	Clear Soft PMMA
Number	Parts name	Note

The guide of product number  
 TL30-091A E -01  
 ↑  
 Color  
 E: 3400K / C: 8000K

Material/Dimensions				Quantity	Treatment / Processing	
Remarks				Model		30mm pitch type
Product Drawing				Product Name		LED TAPE LIGHT
Scale	Design	Drawing	Drawing Check	Approval		Product Number
1:2 (A4)	Takaki	Takaki	Nishimura	Nishimura		
	22.07.'11	22.07.'11	29.07.'11	29.07.'11		TL30-091AE-01(example)