

# Product Specification of Long Silicone Light

1. Name of the product : Long Silicone Light

2. Model Number

This product specification explains characteristics of model NBR of GL10-96A1x-01.  
"x" of GL10-96A1x-01 specifies color as follows.

GL10-96A1N-01 / GL10-96A1E-01 / GL10-96A1F-01

Note: Color temperature: N: Natural, 5000K / E: Soft Warm White, 3200K / F: Gold, 2000K

3. Structure and Dimension

- (1) Light Source : LED
- (2) Numbers of LED : 96 pcs/unit [1 unit : 970mm long]
- (3) Size : Width 8mm (11.4mm), Height 15mm (18.1mm)  
Note: (Size of "end cap" )
- (4) Length : 250 ~ 5050 mm long
- (5) Weight : 160 g/unit [1 unit : 970mm long]
- (6) LED Pitch : 10 mm
- (7) Cutting Position : It is possible to be cut at every 6LEDs(60mm).  
Example: Cut between the 6th and 7th LED, between the 12th and 13th LED.

4. Electrical and Optical Characteristics

- (1) Supply Voltage : DC 24V
- (2) Power Consumption : 15 W/pc [1 unit : 970mm long]
- (3) Color : N: Natural / E: Soft Warm White / F:Gold
- (4) Color Temperature<sup>※1</sup> : N: 5000K / E:3200K / F: 2000K

※1 Values are just for reference.

- (5) Beam Angle  $2\theta_{1/2}$  : 130° (N, E) / 120° (F)
- (6) Polar Graph : Refer to the optical characteristics data
- (7) Total Lumens : 730lm/m(N) / 745lm/m(E) / 290lm/m(F)

5. Operating Conditions

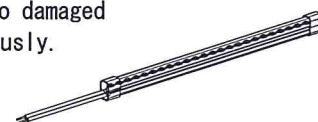
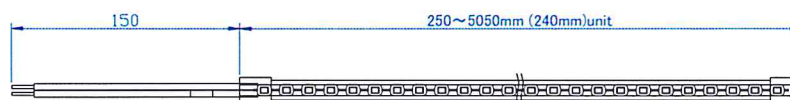
- (1) Surrounding Temperature : -10 ~ 50 °C
- (2) Use at Environment : Indoors / Outdoors (dust and waterproof)
- (3) Minimum allowable Bending Radius : 30 mm radius

6. Warning

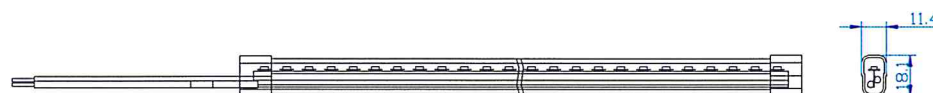
- (1) Please handle the product according to " Long Silicone Light Installation Manual" .
- (2) This product is waterproof, IP68 equivalent product.

Note: IP68: Waterproof standard specifies the capability to remain no damaged when submerged at the depth of more than one(1) meter continuously.

7. Drawing



Dimension at mm



Please note that content described above may be changed without any advance notice.

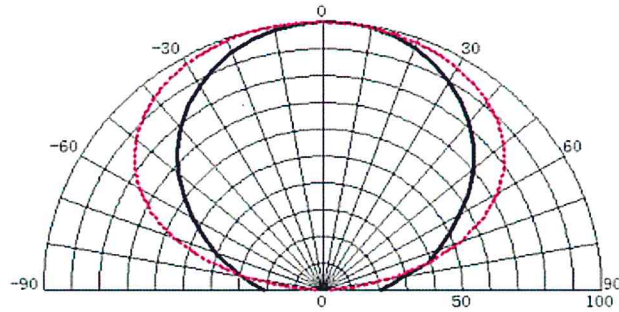
# Product Specification of Long Silicone Light

## 8. Optical Characteristics Data

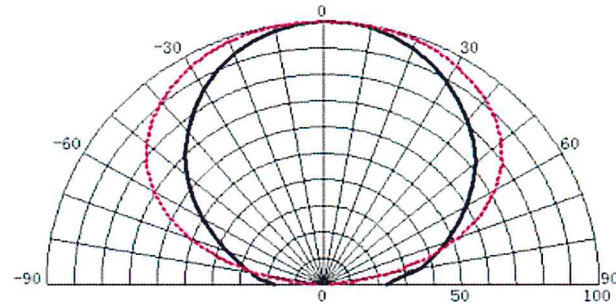
The sample size is 970mm long when data is taken.

### ■ Polar Graph

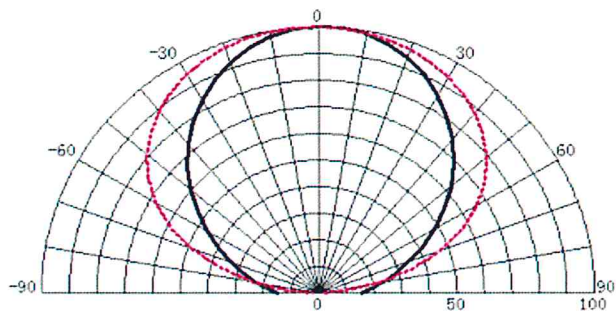
(1) GL10-96A1N-01 (N: 5000K) 【970mm long】



(2) GL10-96A1E-01 (E: 3200K) 【970mm long】



(3) GL10-96A1F-01 (F: 2000K) 【970mm long】



Please note that content described above may be changed without any advance notice.